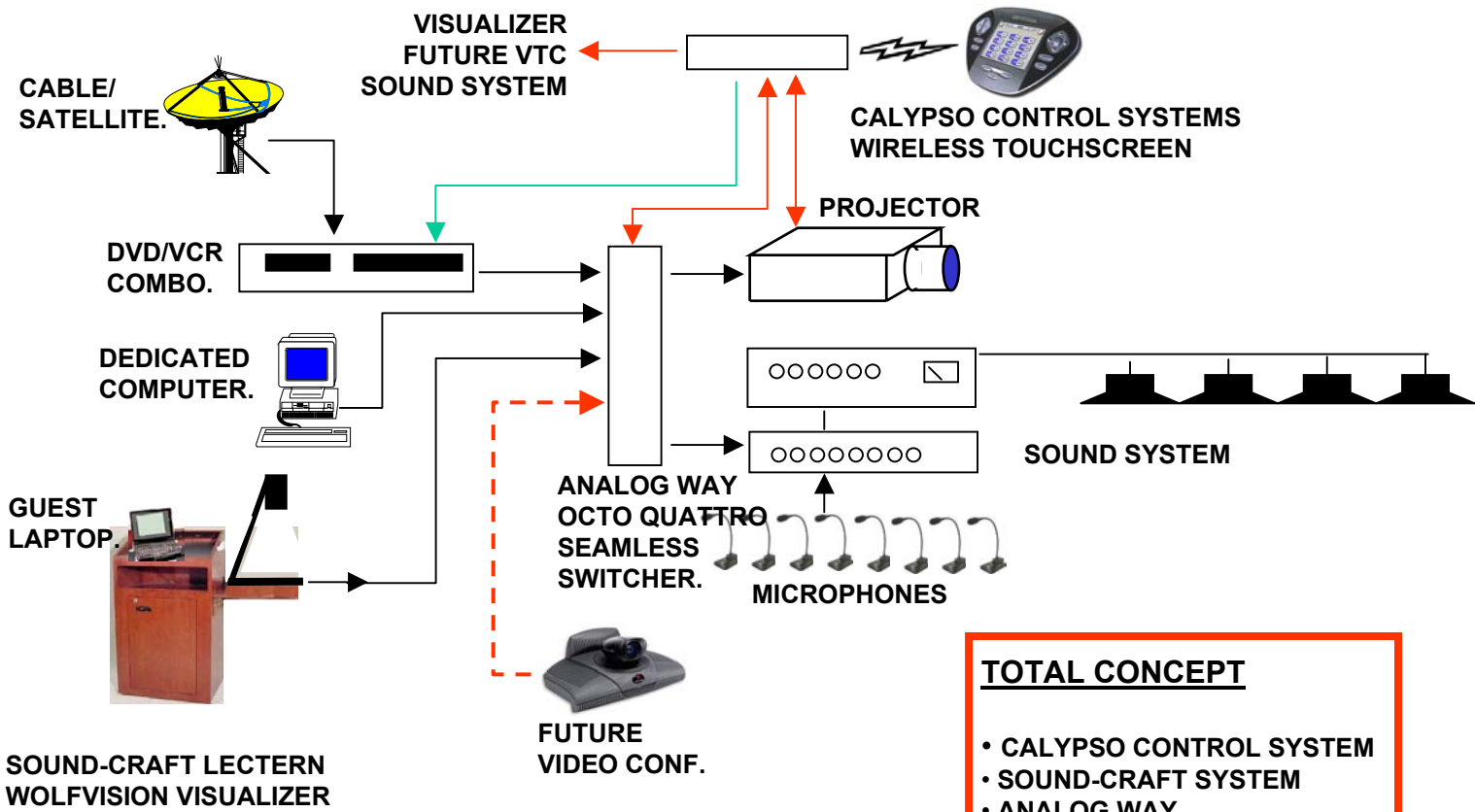


# CITY COUNCIL MEDIA SYSTEM



- TOTAL CONCEPT**

  - CALYPSO CONTROL SYSTEM
  - SOUND-CRAFT SYSTEM
  - ANALOG WAY
  - WOLFVISION



Fax: 513-631-0027

REF NUMBER: <b>DWG 1</b>	REV. DATE	DRAWN BY <b>DAVID McDIARMID</b>	DRAWING NAME <b>CITY COUNCIL MEDIA SYSTEM</b>	PAGE <b>1</b>	REV
CUSTOMER: <b>ABC CITY GOVERNMENT</b>	DATE of ORIGINAL ISSUE <b>3-11-06</b>	SCALE		SIZE	DRAWING #

